

Elara Class B Tabletop Autoclaves

For Medical & Dental Clinics



Elara Class B Tabletop Autoclaves

Exceptional Performance & Exceptional Results

- ▶ LONG LASTING AUTOCLAVE
- ▶ CONVENIENT
- ▶ ENERGY SAVER
- ▶ 30% EXTRA CAPACITY
- ▶ SAFETY



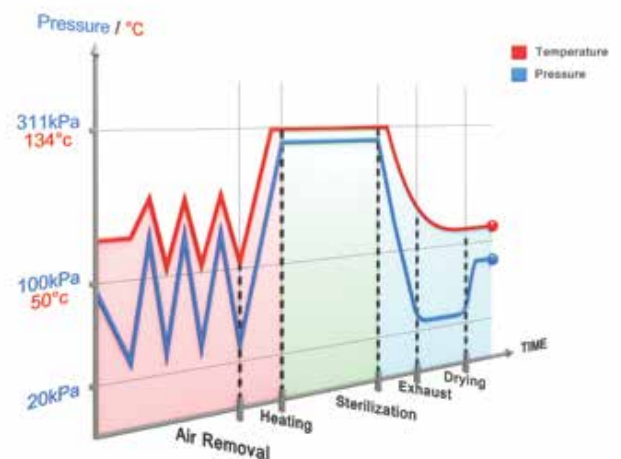
The Elara tabletop autoclave is a reliable and robust Class B Autoclave designed for the needs of modern clinics where autoclaves are expected to meet sophisticated international standards and operate non-stop every day. Elara Autoclaves are designed for the sterilization processing needs of Medical Clinics, Dental Clinics and Veterinary Clinics.

As a family owned business Tuttnauer has manufactured products for over 89 years that have developed a reputation for their quality, high performance, sophisticated features, and ability to satisfy customer expectations. Tuttnauer's sterilization and infection control products are trusted at over 350 000 autoclave installations throughout the world.



Class B Performance

Class B performance is achieved with a built-in vacuum pump used for fractionated pre vacuum air removal eliminating air pockets from all load types and maximizing efficient steam penetration throughout the entire load. After the sterilization stage the vacuum pump is used for post-vacuum drying.



LONG LASTING AUTOCLAVE



Top Quality Stainless Steel

- Durable 316L stainless steel electro-polished chamber lasts longer than competing 304 stainless steel chambers
- Stainless steel door with mirror polish surface is highly resistant to corrosion

Built-in system for checking water quality

- Automatic water quality checking will alert the user of poor water quality. Protect the autoclave chamber from corrosive minerals in poor water.



CONVENIENT



Water Filling

- Front water filling allows you to use the space above the autoclave
- Top water filling is also available
- Automatic feed water (optional) will automatically fill the autoclave reservoir with water



Door

- Self-locking door designed to easily close/open door with one hand



ENERGY SAVER



Energy Saver

- **Sleep Mode** - allows user to set time to switch sterilizer to minimum energy consumption
- **Low Rate Cycle** - you can run your sterilizer when electrical power costs are low, like after work hours, by setting a delayed start time.

30% EXTRA CAPACITY

30% More Tray Area

- You get extra tray space compared to other autoclaves that offer 17 to 20 liter chambers
- Extra capacity per cycle requires less cycles per day, saving you energy costs and water



Standard Tray Capacity

Tuttnauer Tray Capacity

SAFETY



Safety Features

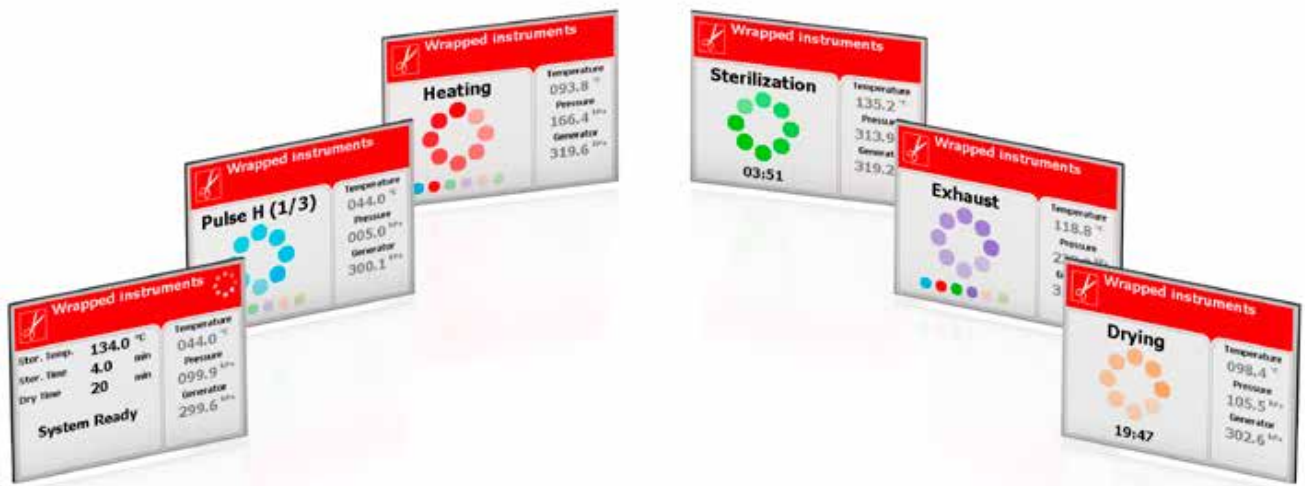
- Two different locking mechanisms prevent the door from opening while the chamber is pressurized
- Cycle will not start if the door is not locked
- Door will not open at end of cycle until chamber pressure equalizes to room pressure



Control Panel

Innovative Multi-Color Display

A bright LCD panel for easy reading, with multilingual interface (26 languages).



Cycle Parameters

Parameter settings for temperature, sterilization time and drying time



Real-Time Measured Values

Shows real-time values for chamber temperature & pressure, and generator pressure

Easy Pad

A user-friendly 3 button keypad enables the user to browse with ease through the sterilization cycle program settings and user directories

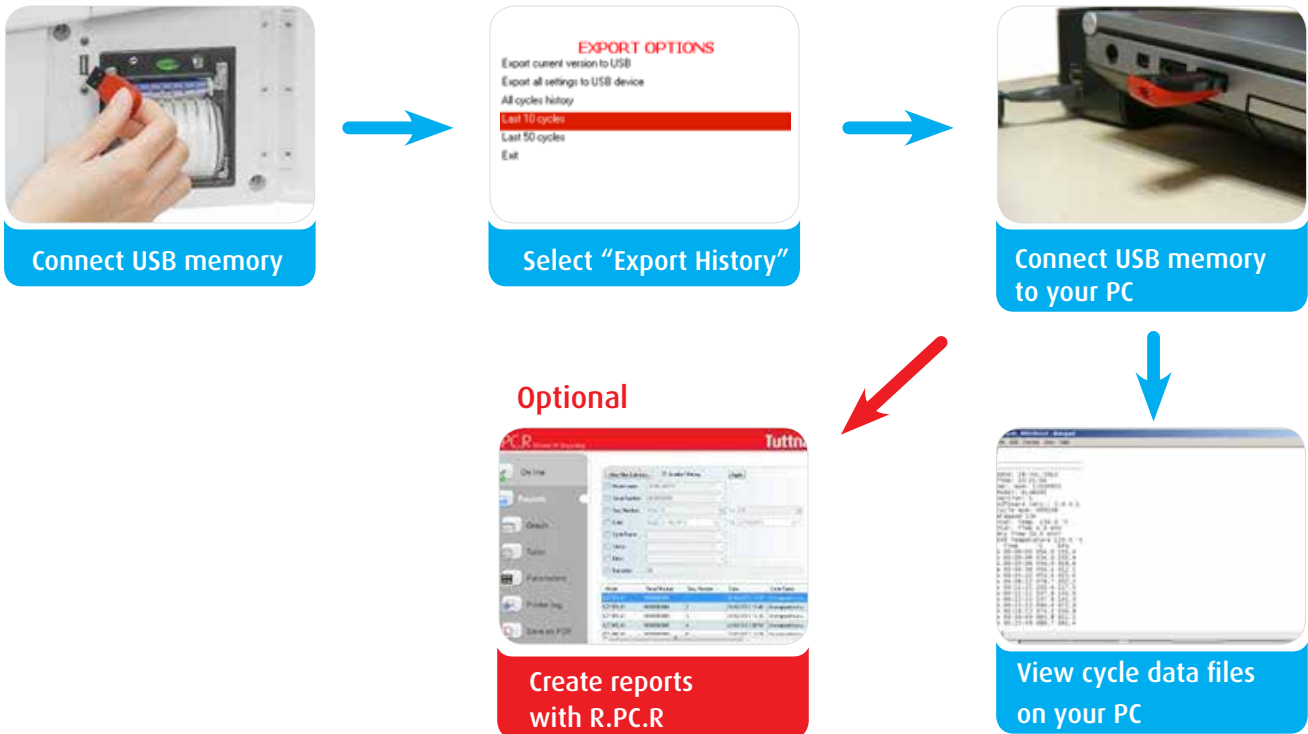
Thermal Printer

Optional high quality built-in thermal printer for paper printouts.



Digital Cycle Data on Your PC

Save cycle data files on your PC with no additional software or specialized hardware



R.P.C.R Software

Remote PC Reporting (optional PC software)

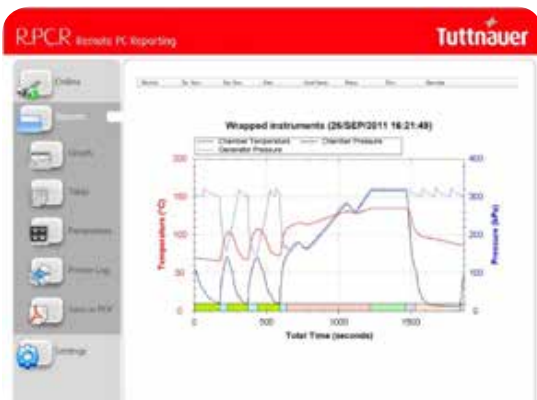
Automatic Recording of Cycle Information to Your PC

Reporting You Can Rely On

- Automatic recording of cycle information to any PC on your network (Ethernet connection at back of autoclave)
- Convenient access to graphs and tables that are easy to understand
- Easily generate PDF reports
- No need to file printouts, saving you time

Be in Control with Real-Time Remote Monitoring

- See the real-time autoclave display on your PC
- Monitor all activity for up to 8 autoclaves



With R.P.C.R. you can see: Graphs of the cycle data, numeric cycle data, cycle print-outs, measured values table, table of parameters.

Elara 9i

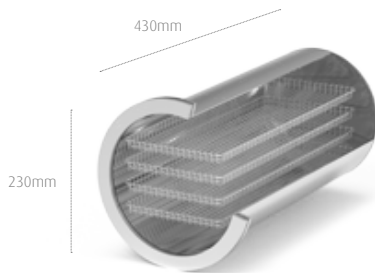
Standard Class B

- High quality steam is generated inside the chamber

Elara 9D

High Speed Class B

- Fast cycles with powerful built-in steam generator



19.8 Liter 316L Stainless Steel Chamber



Elara 9 loaded with 4 stainless steel trays (handle included)



Elara 9 loaded with two full IMS cassettes and two half cassettes. Needs special holder (optional)

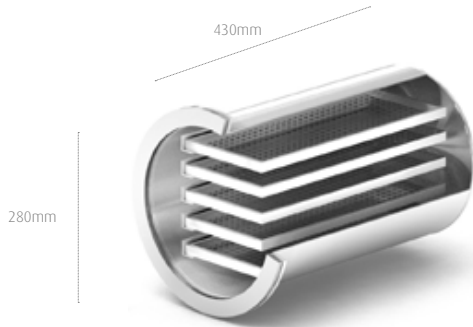
Technical Specification

Model	Chamber Volume	No. of Trays	Usable Tray Area (D x W) (in mm)	Standard Pouches Capacity	IMS Cassette Capacity
Elara 9D	19.8 Liters	4 Trays	415 x 170	16 Pouches	Full x 2 + Half x 2
Elara 9i	19.8 Liters	4 Trays	415 x 170	16 Pouches	Full x 2 + Half x 2
Elara11	28.5 Liters	5 Trays	415 x 170	20 Pouches	Full x 4 + Half x 4

Elara 11D

High Speed Class B

- Fast cycles with powerful built-in steam generator



28.5 Liter 316L Stainless Steel Chamber



Elara 11 loaded with 4 full IMS cassettes and 4 half cassettes



Elara 11 loaded with 5 stainless steel trays (handle included)

Sterilization Programs

5 pre-set programs, 2 test programs Bowie & Dick and Leak test, and 20 customizable programs.

Bowie & Dick test, also suitable for Helix test device, includes 3.5 min sterilization time without drying.

Leak test checks that the chamber under vacuum does not leak.

Cycle Program	Load Type	Temp. C°	Sterilization Time (min)	Dry Time (min)		Cycle Time (min)*		
				Elara 9D Elara 11D	Elara 9i	Elara 9D	Elara 9i	Elara 11D
Unwrapped 134	Unwrapped instruments	134	4	1	2	17	21	21
Wrapped 134	Wrapped instruments	134	4	20	25	24	42	27
Unwrapped 121	Unwrapped delicate instruments	121	20	1	2	32	34	34
Wrapped 121	Wrapped delicate instruments	121	20	20	25	34	59	37
Prion 134	Prion	134	18	20	25	34	56	41

* Cycle times are based on 1.5 kg standard load and do not include drying. Cycle times based on warm chamber and may change according to load size.

Standards and Directives

Partial list of standards and directives:

Quality Standards

- ISO 9001:2008 - Quality Management Systems
- EN ISO 13485:2012 Quality Management System – Medical Devices

Directives

- MDD 93/42/EEC amended in Directive 2007/47/EEC
- PED 97/23/EC - Pressure Equipment Directive
- 2002/96/EC WEEE and 2002/95/EC RoHS

Standards

- EN 13060: 2004+A2: 2010 - Small Steam Sterilizer
- EN 61010-1: 2010 Safety Requirements for measurement control and laboratory use
- EN 61326-1: 2006 Electrical Equipment for EMC Requirements
- EN 61010-2-40: 2005 Safety requirements for sterilizers used to treat medical materials
- EN 17665-1: 2006 Sterilization of health care products – moist heat

Technical Specification for Elara 9 and Elara 11

Model	Voltage (V) Freq. (Hz)	Power(W) Current (A)	External Dimension DxWxH (mm)
Elara 9	230V 50/60Hz	Elara 9i 1800W/ 9A	660 x 485 x 440
		Elara 9D 2200W/10A	
Elara 11	230V 50/60Hz	Elara 11D 2200W/10A	660 x 530 x 440

Accessories

Sealing Machine

Ensures that sterilized instruments remain sealed after sterilization and maintain perfect sterility during their shelf-life.



Water Distiller

Use mineral-free water to protect your autoclave and instruments at a fraction of the cost of bottled distilled water.



Ultra Sonic Cleaner

Ultrasonic cleaning is a safe and efficient procedure that ensures perfect cleaning.



Learn from our Experts
Join our blog www.tuttinauer.com/blog



Elara Class B Tabletop Autoclave for Medical & Dental Clinics

International Sales and Marketing
E-mail: info@tuttinauer-hq.com
www.tuttinauer.com

Tuttinauer Europe b.v.
Hoeksteen 11, 4815 PR
P.O.B. 7191, 4800 GD Breda
The Netherlands
Tel: +31 (0) 765 423 510, Fax: +31 (0) 765 423 540
E-mail: info@tuttinauer.nl

Tuttinauer USA Co.
25 Power Drive,
Hauppauge, NY 11788
Tel: +800 624 5836, +631 737 4850 Fax: +631 737 0720
E-mail: info@tuttinauer.com

Tuttinauer
Your Sterilization & Infection Control Partners

Distributed by:

 **healthy
medical**
www.hmed.com.hk
Sales Hotline: 8338 3333